

Please see the HDK license agreement for terms of use at <http://www.chumby.com/legal/developer>

U\_lcd  
lcd.SchDoc



U\_audio  
audio.SchDoc



U\_power\_boot  
power\_boot.SchDoc



U\_cpu  
cpu.SchDoc



U\_memory  
memory\_dw.SchDoc



U\_usb  
usb.SchDoc



U\_misc\_io  
misc\_io.SchDoc



Legacy section for squishy compatibility

U\_chumby\_classic  
chumby\_classic.SchDoc



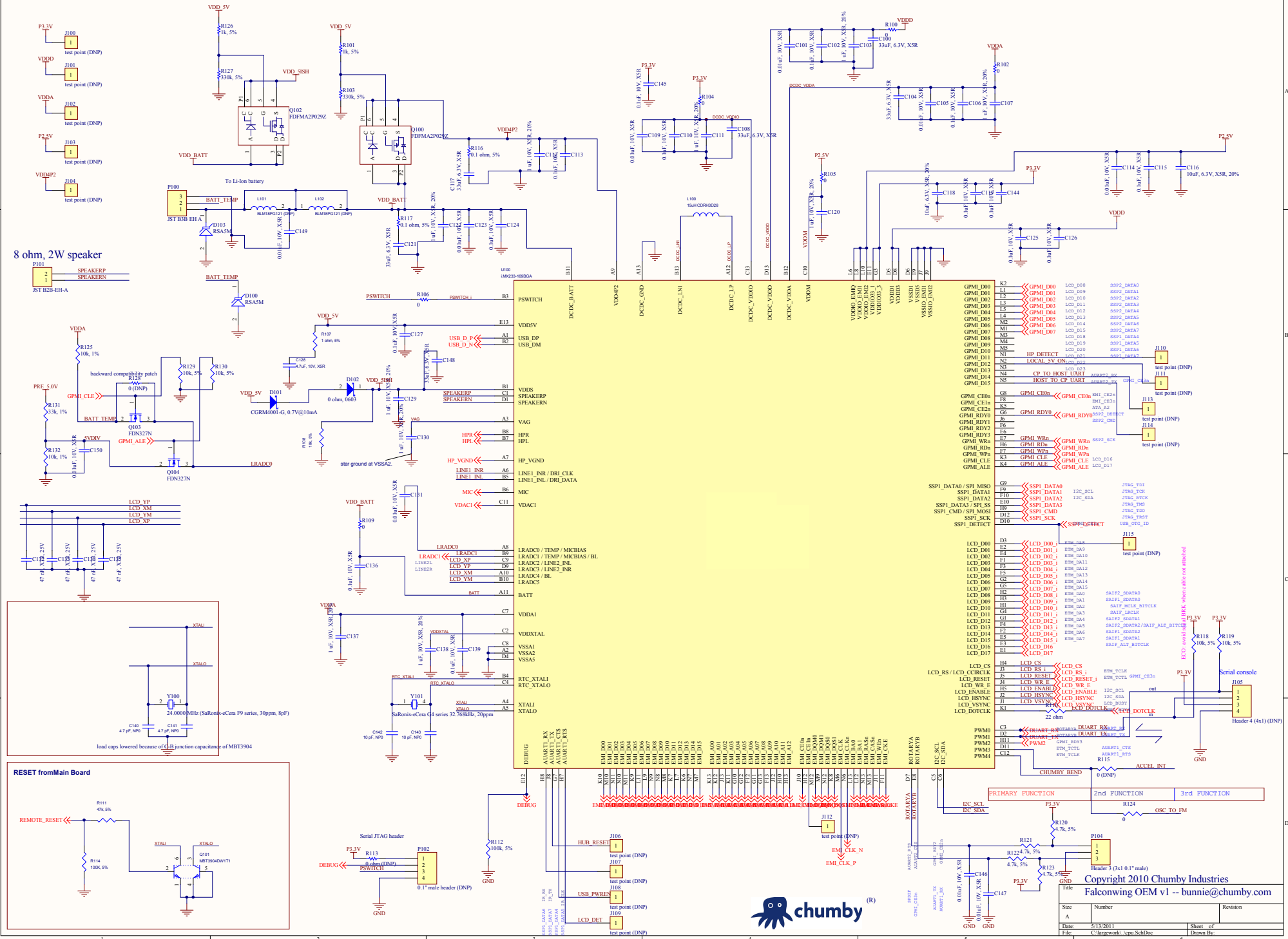
U\_crypto  
crypto.SchDoc



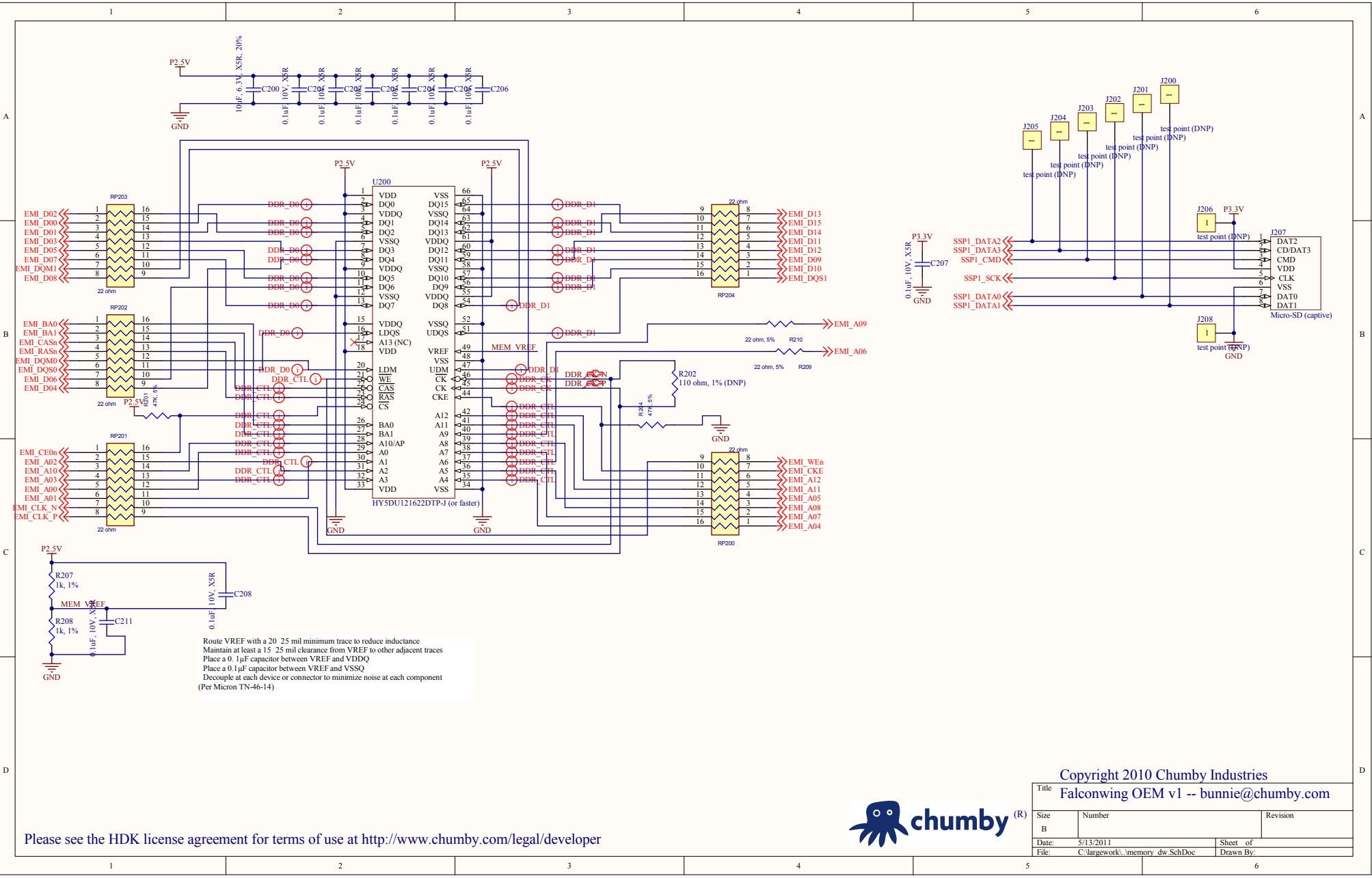
Copyright 2010 Chumby Industries

Title Falconwing OEM v1 -- bunny@chumby.com

Size	Number	Revision
A		
Date:	5/13/2011	Sheet of
File:	C:\largetwork\...\docmap.SchDoc	Drawn By:



Copyright 2010 Chumby Industries			
Falconwing OEM v1 - bunnie@chumby.com			
Rev	Number	Revision	
Date	5/13/2011	Sheet of	
File	C:\chumby\work\cpu\SchDoc	Drawn By	



Route VREF with a 20 25 mil minimum trace to reduce inductance  
 Maintain at least a 15 25 mil clearance from VREF to other adjacent traces  
 Place a 0.1µF capacitor between VREF and VDDQ  
 Place a 0.1µF capacitor between VREF and VSSQ  
 Decouple at each device or connector to minimize noise at each component  
 (Per Micron TN-46-14)

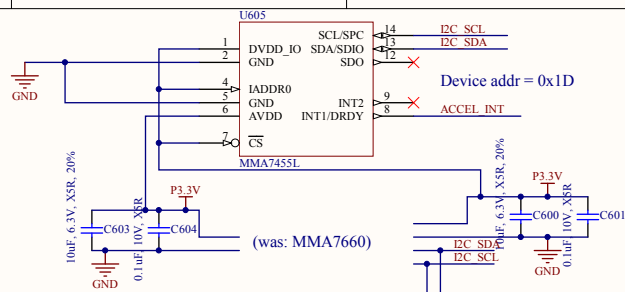
Copyright 2010 Chumby Industries

Title Falconwing OEM v1 -- bunnie@chumby.com

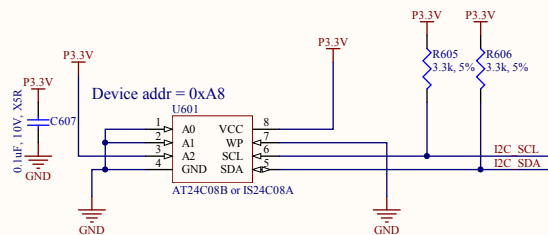
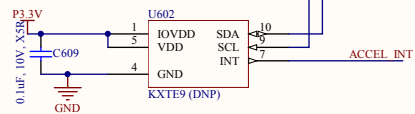
Size	Number	Revision
B		
Date:	5/13/2011	Sheet of
File:	C:\largework\memory dw.SchDoc	Drawn By:



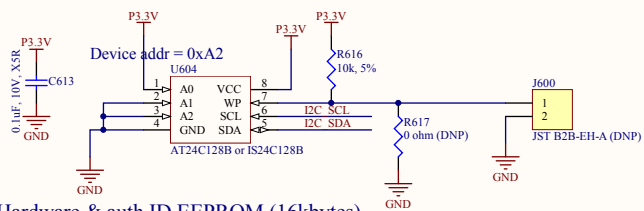
Please see the HDK license agreement for terms of use at <http://www.chumby.com/legal/developer>



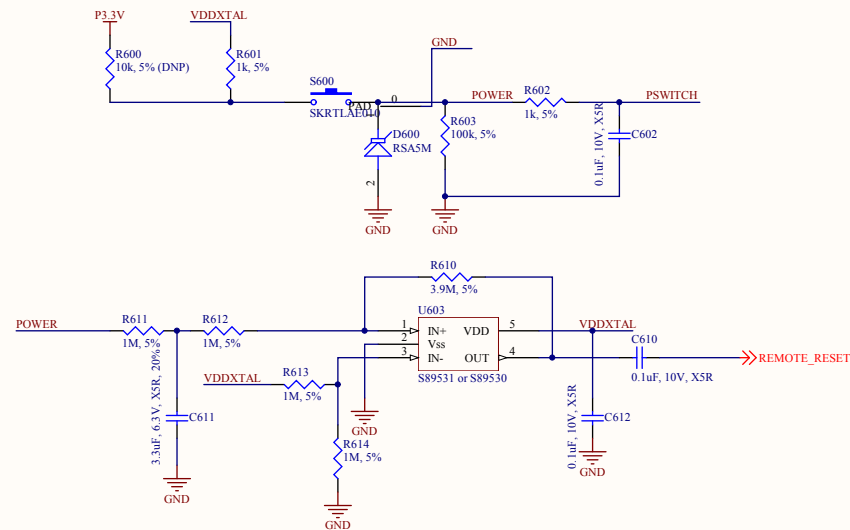
Accelerometer



DCID



Hardware & auth ID EEPROM (16kbytes)



Copyright 2010 Chumby Industries

Title Falconwing OEM v1 -- bunnie@chumby.com

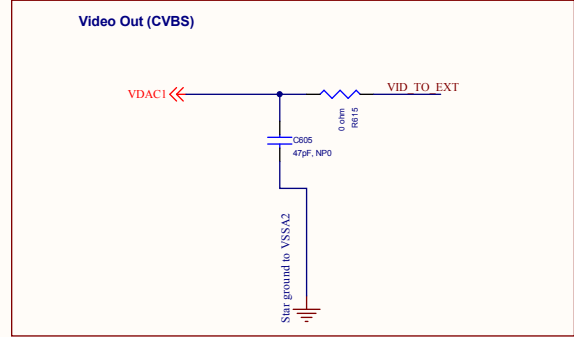
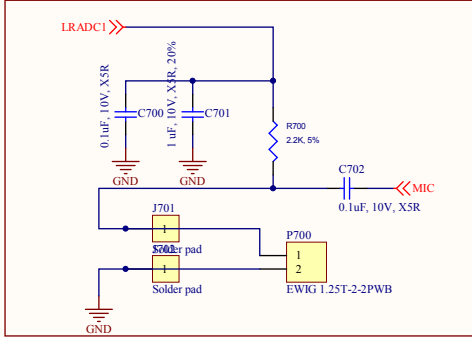
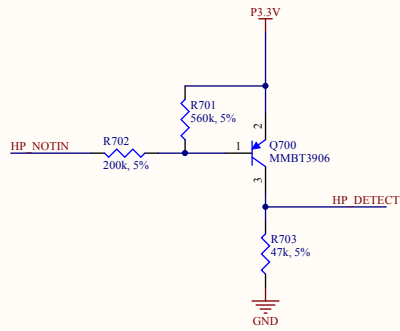
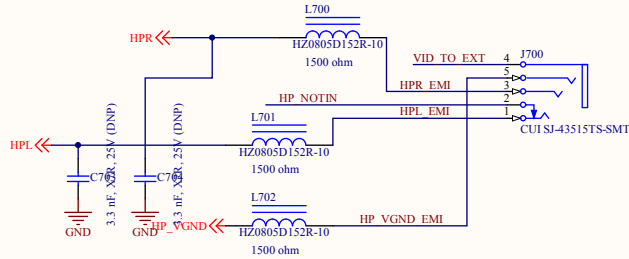


Size	Number	Revision
B		
Date:	5/13/2011	Sheet of
File:	C:\largework\misc io SchDoe	Drawn By:

<http://www.anythingbutipod.com/archives/2006/04/zen-vision-m-video-cable-other-4-pole-35mm-pinouts.php>



	1	2	3	4
Archos, Gigabeat, Creative Zen Vision Series, Cowon iAudio, Apple iPod	Ground	Video	Right	Left
Standard Camcorder Cable	Right	Ground	Video	Left
iPod Video	Video	Ground	Left	Right
Zune	Video	Ground	Right	Left



Please see the HDK license agreement for terms of use at <http://www.chumby.com/legal/developer>



Copyright 2010 Chumby Industries  
Falconwing OEM v1 -- [bunnie@chumby.com](mailto:bunnie@chumby.com)

Title	Falconwing OEM v1 -- <a href="mailto:bunnie@chumby.com">bunnie@chumby.com</a>	
Size	Number	Revision
B		
Date:	5/13/2011	Sheet of
File:	C:\largework\audio\SchDoc	Drawn By:

A

B

C

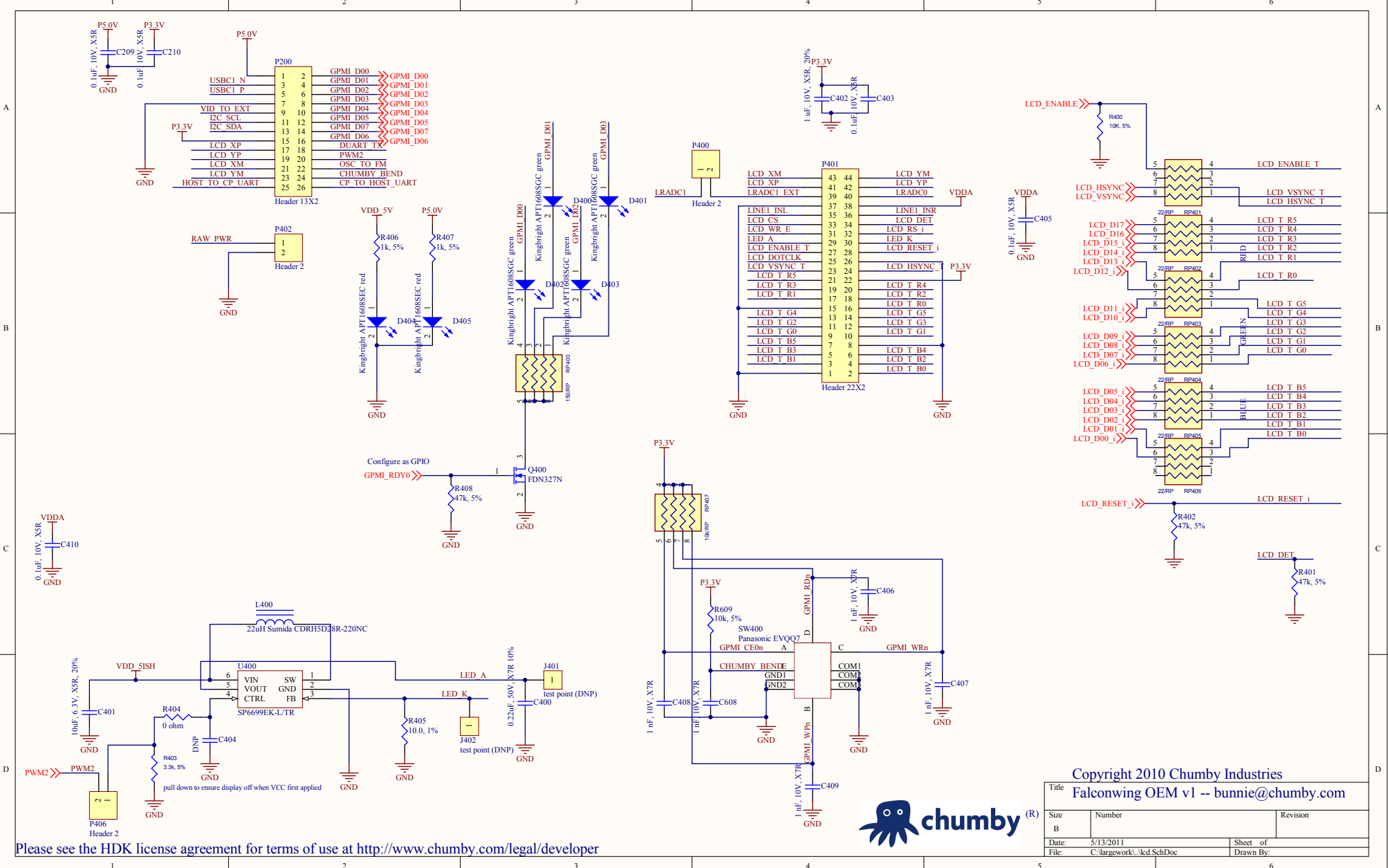
D

A

B

C

D



Please see the HDK license agreement for terms of use at <http://www.chumby.com/legal/developer>

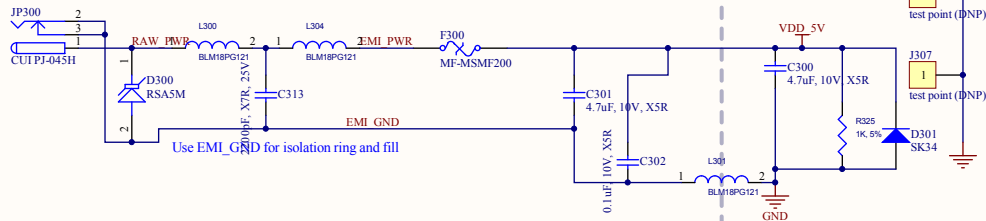


Copyright 2010 Chumby Industries  
Falconwing OEM v1 -- [bunnie@chumby.com](mailto:bunnie@chumby.com)

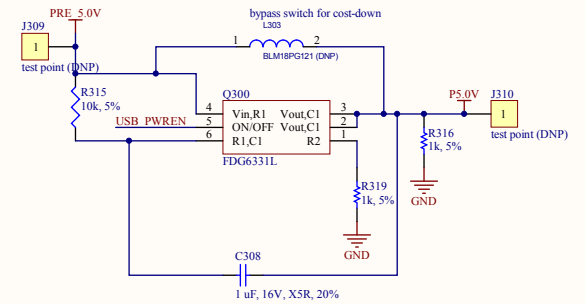
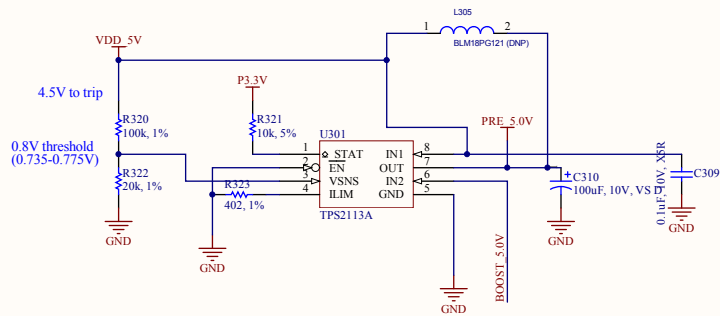
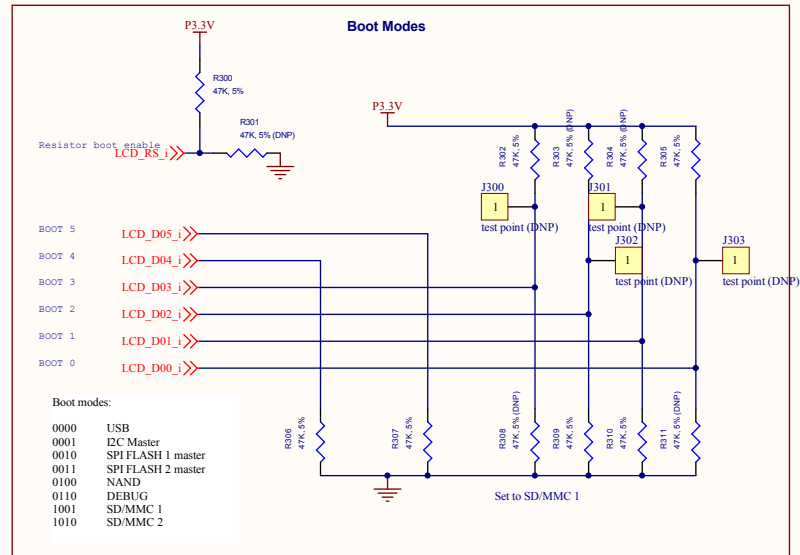
Title	Falconwing OEM v1 -- <a href="mailto:bunnie@chumby.com">bunnie@chumby.com</a>	
Size	Number	Revision
B		
Date:	5/13/2011	Sheet of
File:	C:\largework\lcd SchDoc	Drawn By:

5V DC @ 2A peak +/- 5%

200 ohm @ 100 MHz, 1-turn ferrite core required on cable for EMC



### Ground test points

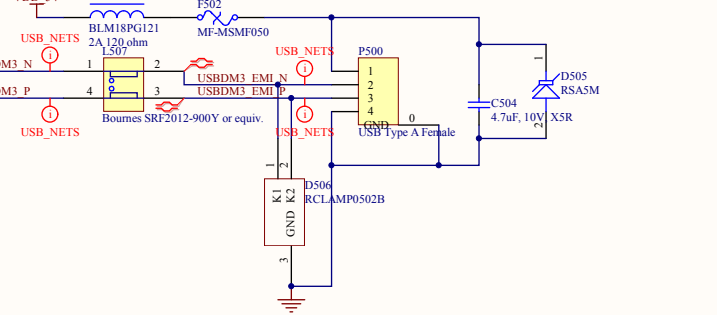
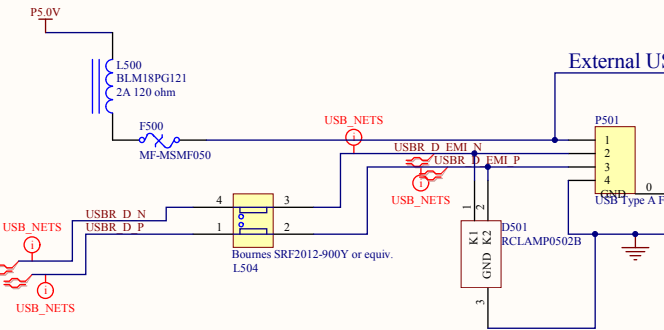
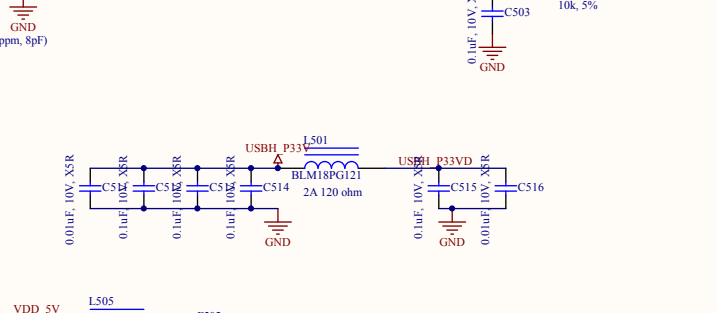
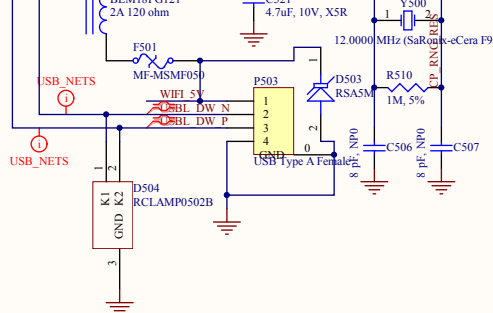
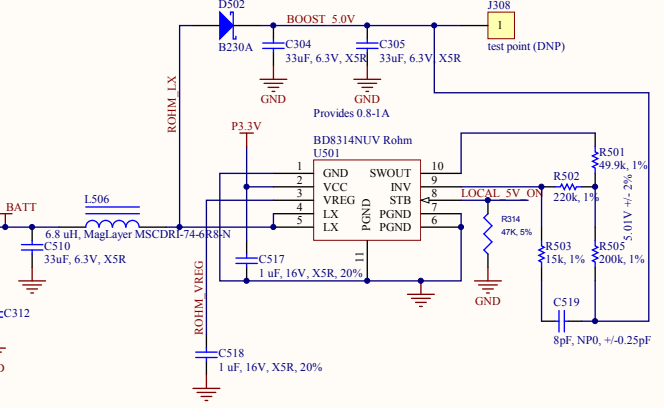
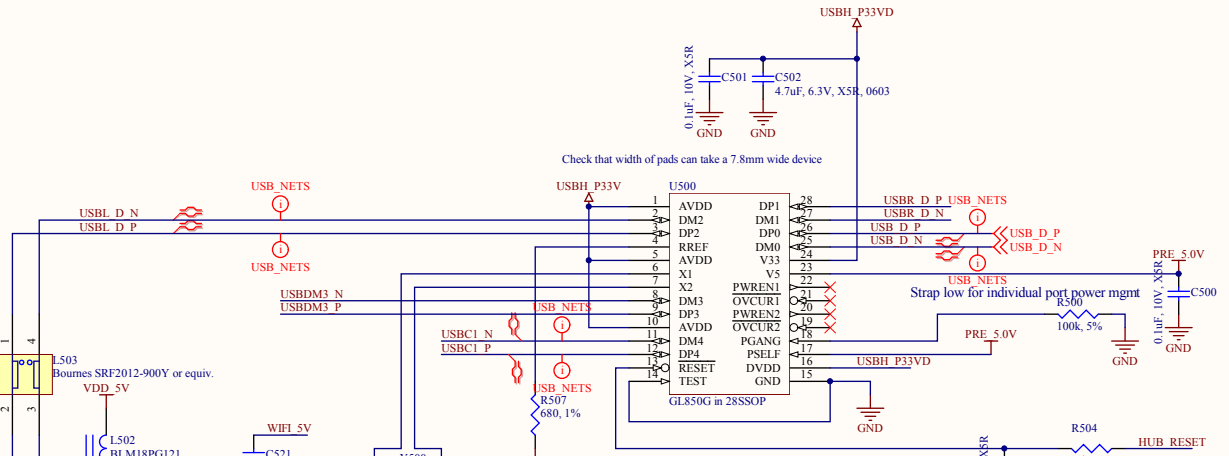
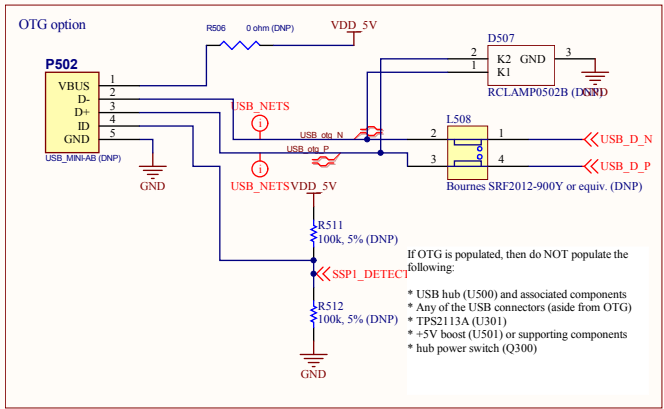


Please see the HDK license agreement for terms of use at <http://www.chumby.com/legal/developer>



Copyright 2010 Chumby Industries  
Falconwing OEM v1 -- [bunnie@chumby.com](mailto:bunnie@chumby.com)

Title	Falconwing OEM v1 -- <a href="mailto:bunnie@chumby.com">bunnie@chumby.com</a>	
Size	Number	Revision
Date:	5/13/2011	Sheet of
File:	C:\largework\power_boot\SchDoc	Drawn By:



Copyright 2010 Chumby Industries  
 Falconwing OEM v1 -- bunnie@chumby.com

Title	Size	Number	Revision
Falconwing OEM v1 -- bunnie@chumby.com	B		
Date: 5/13/2011			Sheet of
File: C:\large\work\usb\SchDoc			Drawn By:



Please see the HDK license agreement for terms of use at <http://www.chumby.com/legal/developer>